

SPECIFICATION

A: MATERIAL:

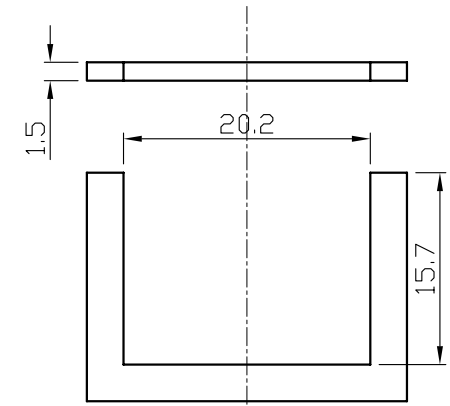
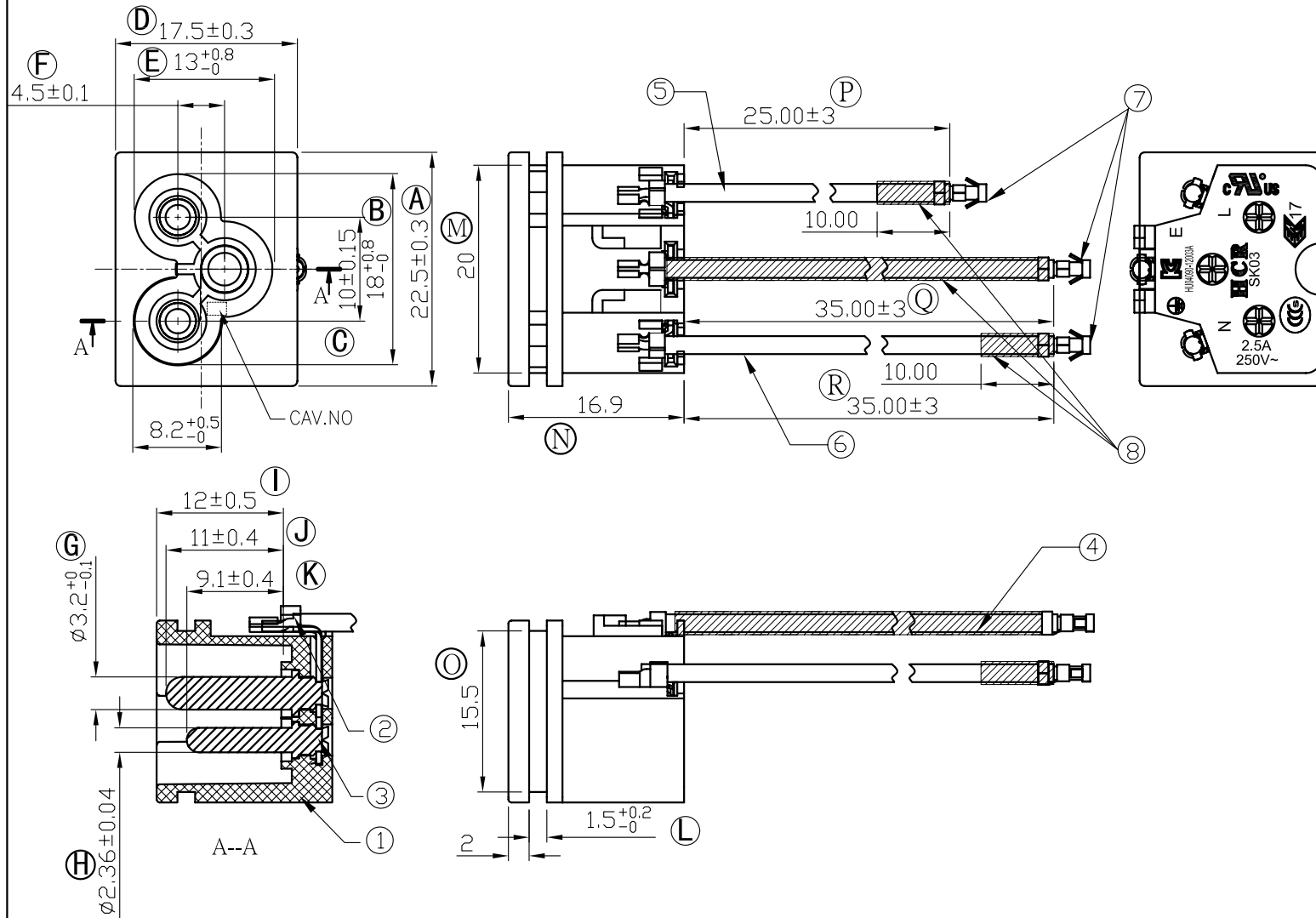
- 1.BODY: PC
- 2.TERMINAL: Cu PLATED Sn
- 3.PIN: Cu PLATED Ni
- 4.WIRE: UL 1430, 20AWG, Brown
- 5.WIRE: UL 1430, 22AWG, Black
- 6.WIRE: UL 1430, 20AWG, Blue
- 7.TERM: Cu PLATED Sn
- 8.TUBE: $\phi 2.00$ BLACK

B: CHARACTERISTICS:

- 1.RATING: 2.5A 250V~(C-ULus, ENEC & CCC & KC)
- 2.INSULATION RESISTANCE:100M Ω MIN,AT 500VDC
- 3.ELECTRIC STRENGTH : AC 3,000 V/1 MIN,LEAKAGE CURRENT UNDER 0.5mA

C: APPROVALS: C-ULus, ENEC & CCC & KC

- D: MATERIAL USED MUST BE COMPLY WITH HQI-0010
- E: CAN MEET ROHS



PANEL CUT-OUT

TOLERANCES UNLESS OTHERWISE 未指定容許差尺寸之公差	
BASIC DIMENSIONS TOLERANCES	
UP TO 10 (10以下)	± 0.3
ABOVE 10 TO 100(10-100)	± 0.5
ABOVE 100 (100 以上)	± 0.8
ANGULAR DIMENSIONS(角度)	$\pm 5^\circ$
DIMENSION UNIT	mm

東莞市華之力電子有限公司 DONGGUAN HCR ELECTRONICS CO., LTD.

2					核准 APPROVED BY	AaronJin	日期 DATE	20111221	投影法 PROJECT		機 型 PART NAME	INLET SOCKET
1					校對 CHECKED BY	RZTang	日期 DATE	20111221	比例 SCALE	1:1	型 號 PART NO	SK03
0	2012/8/15	新制訂	A0	WeiChen	AaronJin	繪圖 DRAWN BY	日期 DATE	20111221	路徑 DWG NO	E:\成品圖 SK03\830054	料 號 ITEM NO	SK03-1801030423H-3002
NO	DATE	REVISION DESCRIPTION	REVISION	RDAWN	APPROVED							